

MODEL:

**AquaTechnix TX-500BD**

# AQUATECHNIX

AquaTechnix 1/2-inch Dome Head Basin Taps (pair) H: 130mm

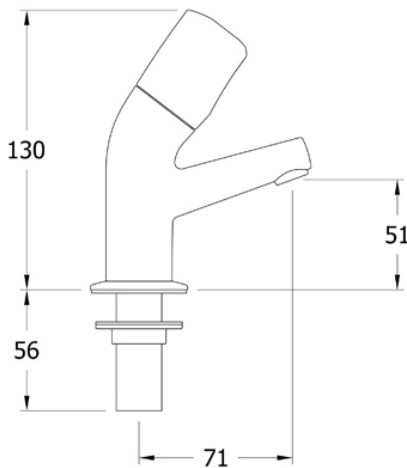
**Model range:** TX-500  
**Pedestal:** Single Hole  
**Mount:** Deck mounted  
**Water feed:** Single  
**Controls:** Dome  
**Connections:** 1/2-inch  
**Tap type:** Basin  
**Accreditation:** WRAS

### FEATURES & BENEFITS

- Ergonomic in design and functionality.
- Modern, hygienic and practical design comes pre-assembled ready to install.
- All assembled models are factory tested up to 6 bar for quality assurance.
- Complete interchangeability between all bodies, spouts and pre-rinses means that product use can easily be changed on site at a later date.
- Includes PosiStop protected lever and dome heads for long life and reliability for all models

### TECHNICAL INFO

- Connection: 1/2-inch
- Height: 130mm
- Recommended static water pressure range: 1.5 - 5 bar
- Flow rate: for TX-500 basin tap models (tested at 3 bar pressure): Fitted with WATER-SAVING diffuser: 4.33 l/m Fitted with STANDARD diffuser: 10.91 l/m



### MAINTENANCE & CLEANING

Cleaning chrome: Do not use abrasive, chlorine or acid-based cleaning products. Avoid contact with concentrated bleach. Clean with soapy water using a cloth or sponge.

Dimensions are in millimeters. If a Cad file is required please visit [www.mechline.com](http://www.mechline.com).



MECHLINE DEVELOPMENTS LIMITED

Tel: +44 (0)1908 261511 | Email: [info@mechline.com](mailto:info@mechline.com) | Web: [www.mechline.com](http://www.mechline.com)