



F72/200 - IMC VQ3.5 Counter-top Potato Peeler - 1 Phase - W 425 mm - 0.18 kW

Compact and flexible, the VQ3.5 peeler has a high output and small footprint, making it ideal for smaller kitchens with single-phase power.

- ✓ Able to peel 62.9kg of potatoes per hour, in 3.5kg batches
- ✓ Self-draining cylinder with smooth profile for easy cleaning
- ✓ Small footprint and quiet operation, ideal for smaller kitchens
- ✓ Long-lasting, rust-proof cast aluminium plate for effective peeling
- ✓ Compact design for countertops and sink drainers
- ✓ Suitable for kitchens with single-phase power supply
- ✓ Heavy-duty belt and pulley for simple and safe operation
- ✓ WRAS-compliant Class A air-break and brass spray nozzle to prevent water escape

Specifications

Summary

Brand	IMC
Range	VQ Peeler
Power Type	Electric
Unit Type	Counter-top
Available in UK Only	No
UK Warranty	2 Years Parts and Labour Warranty
Export Warranty	Contact your local dealer
Mounting	Drainer; Worktop; Stand [optional]; Pedestal [opti
GTIN	5056105198857

Power and Performance

Total Power kW	0.18
HP	0.24
IP Rating	IP55

Key Specifications

Operator Safety	Interlocks
Timer	Yes
Drain Location	Variable
WRAS Approved	Yes
Airbreak	Yes

Capacity

Capacity Kg per Hour	62.9
-----------------------------	------

Weights and Dimensions

Unit Height (External) mm	425
Unit Width (External) mm	653
Unit Depth (External) mm	367
Net Weight Kg	28

Supply Connections

Requires Installation	No
Requires Electrical Supply	Yes
UK 3 Pin Plug	Yes
Requires Hardwiring	No
Motor Rating Watts	180
Single Phase Amps	1.2
Single Phase Voltage	230
Water Connection Pressure Bar	2.7-3.8 [40-55 psi]
Drain Connection	50.8mm
Water Connection	12mm

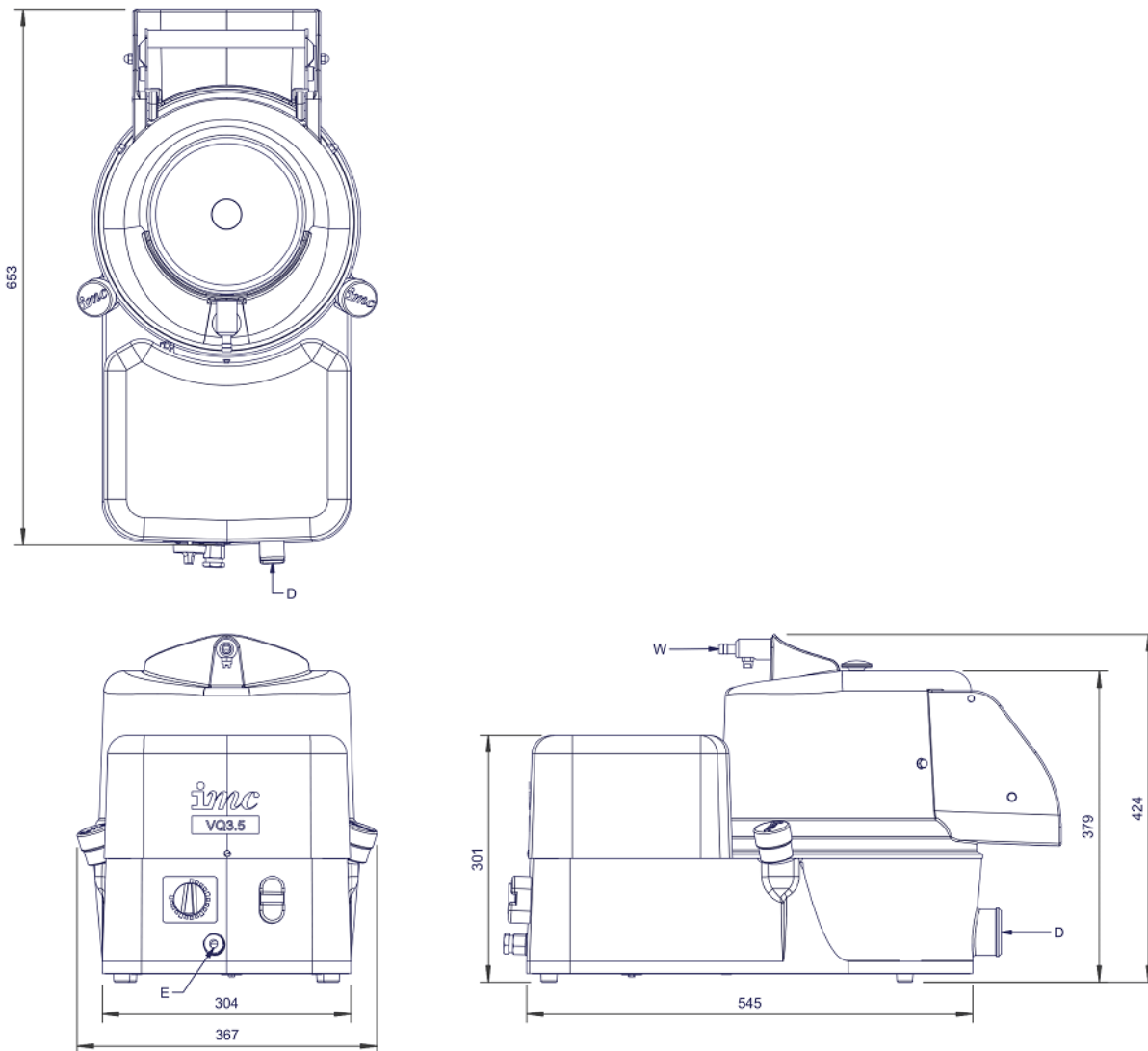
Shipping

Packed Weight Kg	30.8
Packed Height cm	56
Packed Width cm	72
Packed Depth cm	42

Available Accessories

A29/003	Lid Retaining Strap for SP/VQ Potato Peeler
E72/011	Sink Skip - Stainless Steel - for MF10/MF10L/MF15/MF15L/VQ Peeler
S72/023	Waste Ejector for SP/VQ Potato Peeler [2" BSP]
S72/220	Trolley for VQ Potato Peeler [H 890 mm]
S72/221	Pedestal for VQ Potato Peeler [H 750/800/850/900/950 mm - adjustable]

Technical Picture





Lincat Limited

Whisby Road,
Lincoln, LN6 3QZ,
United Kingdom

Company No: 2175448

A member company of



Customer Care

Tel: +44 1522 875500
Email: care@lincat.co.uk

Export Customers

Tel: +44 1522 875536
Email: export@lincat.co.uk

Opening Hours

Monday – Friday:
8.30am – 5pm