

Dupla Dishwashers

FEATURES

- High grade 304 stainless steel construction
- Pressed tank and rounded corners to aid cleaning of machine
- Double skin for quieter running and improved efficiency
- Stainless steel wash & rinse arms with press split jets
- Double filter to protect wash pump
- Fitted with break tank and rinse booster WRAS approved
- Automatic detergent and rinse aid dosing
- 2 – 3 minute cycle
- Supplied with 1 x glass basket, 1 x dish basket & 1 x cutlery holder
- Available with integral drain pump
- 30 amp or 3 phase supply

IMPORTANT NOTES

If you are installing a glass or dishwasher in a hard water area, we recommend you to fit a water softener. Faults attributed to poor water quality are not covered under the manufacturer's warranty.

OPTIONAL EXTRAS

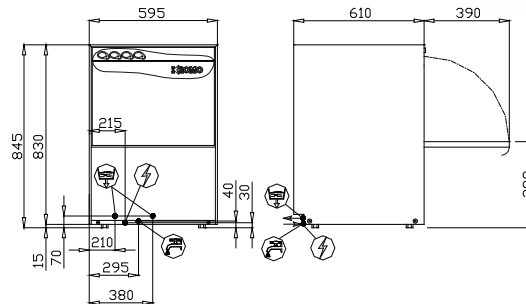
Water Softener - 12 litres	F1-DEP12	
----------------------------	----------	--

Note: If optional extras sold separately, there is a delivery charge of £10.95+ VAT



F1-DEP12

DUPLA50



WAREWASHING

MODEL	PIECES /BASKET	PIECES /HR	BASKET SIZE	EXTERNAL DIMENSIONS (H x W x D mm)	POWER CONSUMPTION	WEIGHT (kg)	RRP
DUPLA50BT24AMP	18 Dishes	540	500 x 500	845 x 595 x 610	5150W	73	
DUPLA50BT3PH	18 Dishes	540	500 x 500	845 x 595 x 610	5150W	73	
DUPLA50BT-DP24AMP	18 Dishes	540	500 x 500	845 x 595 x 610	5150W	73	
DUPLA50BT-DP3PH	18 Dishes	540	500 x 500	845 x 595 x 610	5150W	73	

